

ALUMINUM GATE INSTALLATION INSTRUCTIONS

Suggested Tools: Cordless Drill Pencil
 Tape Measure #2 Sq. Drive Bit
 Safety Glasses 1/8" Drill Bit
 Miter Saw W/Non-Ferrous Blade

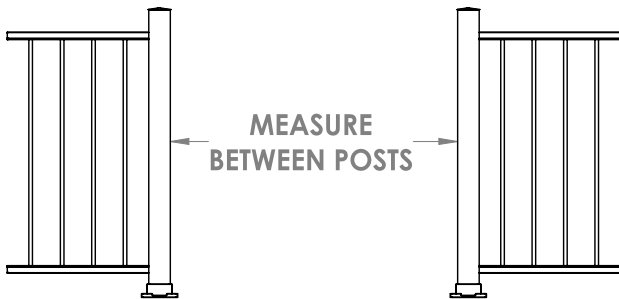
STEP ONE - Remove all items from package.

Kit Includes:

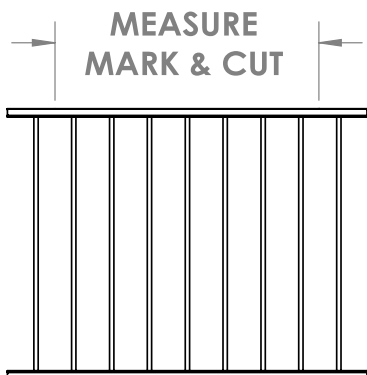
- One (1) - 34.5" x 32" Picket Panel
- Two (2) - 34.5" Snap Covers
- Two (2) - 1.75" Gate End Posts
- Sixteen (16) - 3/4" Self Tapping TEK Screws
- Two (2) - Hinges
- One (1) - Locking Latch Kit



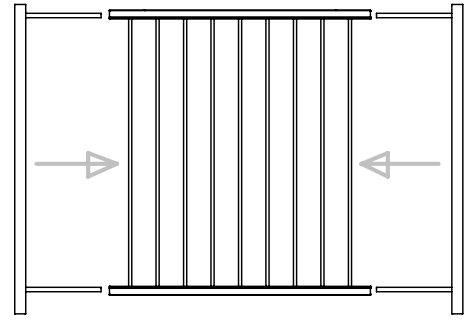
STEP TWO - Measure between railing opening.



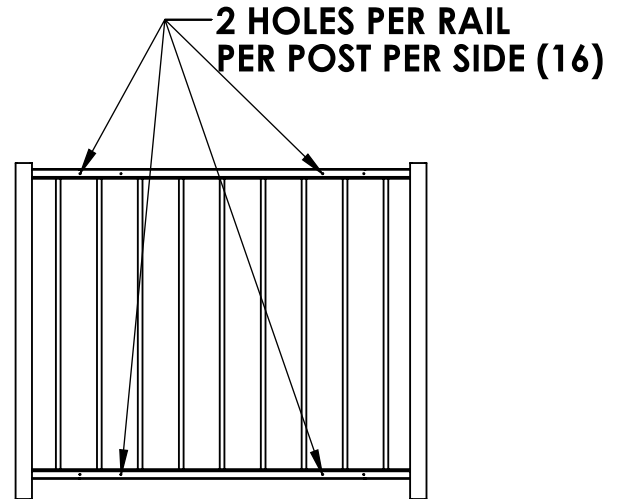
STEP THREE - If opening is 40", no cutting is required. If opening is less than 40", deduct 5" from opening measurement and cut panel, leaving equal end spacing.



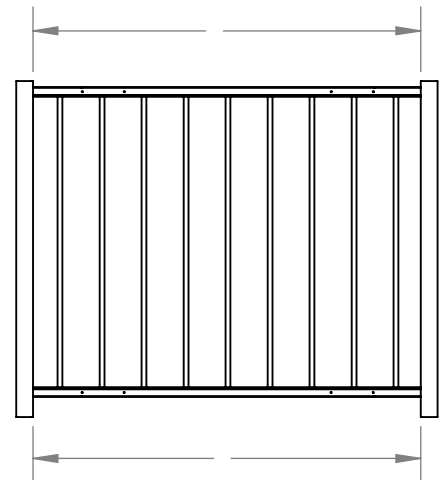
STEP FOUR - Insert 1.75" gate end posts into panel upper and lower horizontal channels.



STEP FIVE - Drill 16 - 1/8" holes as per diagram and install 3/4" TEK Screws.



STEP SIX - Measure between 1.75" gate posts, deduct 1/16", cut top/bottom snap covers. Once cut, position snap covers over top/bottom horizontal channels and press in place.



STEP SEVEN - Install gate hinges as per instructions provided in package.

STEP Eight - Install gate latch as per instructions provided in package.