

# I.Dekk

## DECKING INSTALLATION INSTRUCTIONS



### PLEASE READ AND FOLLOW THESE INSTALLATION INSTRUCTIONS FOR A SUCCESSFUL I.Dekk PROJECT

#### Select the best board profile for your deck

I.Dekk is offered in a Traditional S4S rectangular board, and a Tongue & Groove board. Our S4S board allows gaps between the boards. While the T&G board offers the appearance of a continuous surface.



Traditional S4S boards are your best choice if debris from trees or other sources is a consideration. S4S boards are also the best option if air circulation under the deck will be limited, as most structural materials require air circulation to avoid degradation resulting from moisture build-up.



Tongue & Groove boards can be used when sufficient air circulation can be provided to the deck substructure. While I.Dekk deck boards don't require any ventilation, most structural materials do.



Tongue and Groove boards should always be gapped 1/32" to 1/16" to allow for expansion and contraction related to variations in temperature, and to allow for substructure shrinkage. Using a Green Bay Decking gapping tool can simplify the gapping process, and deliver premium results. Contact Green Bay Decking to obtain a gapping tool if they are not available at your Green Bay Decking supplier.



## Important Installation Tips

Please read and follow these installation tips for a successful I.Dekk installation

All composite decking will expand and contract as temperatures change. To minimize adverse effects resulting from such changes, it is best to install deck boards during moderate temperatures. Avoid installation during temperature extremes.

Proper gapping should be provided throughout the deck installation. A minimum gap of 3/16" should be provided where the deck meets a wall, and a 3/16" gap should be provided where the deck meets a post or other object. Tongue and groove boards should be gapped a minimum of 1/32" between boards. (Use of the Green Bay Decking gapping tool is recommended). Traditional, rectangular S4S boards should be installed with a minimum 3/16" gap between boards.

Be sure to use the recommended fastener for your application. Genuine Green Bay Decking fasteners will deliver optimum results.

All face fasteners should be located at least 3/4" from the ends and edges of deck boards. Fasteners should be placed near the deck boards' structural septums.

Complete installation and care instructions can be found on our website at [www.GreenBayDecking.com](http://www.GreenBayDecking.com).

Please call Green Bay Decking at 877-804-0137 for additional information.

Thank you for using I-Dekk

# I.Dekk

## Deck Components and Specifications



**TRADITIONAL S4S**  
 Description: 5/4" x 6" S4S  
 Height: 1 1/4"  
 Width: 5 1/2"  
 Lengths: 12', 16', 20'  
 Weight: 1.4 lbs./ft.



**PERIMETER STRIP**  
 Description: 6/4" x 6"  
 Height: 1 1/2"  
 Width: 5 1/2"  
 Length: 12"  
 Weight: 1.6 lbs./ft.



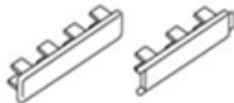
**TONGUE & GROOVE**  
 Description: 5/4" x 6"  
 Height: 1 1/4"  
 Width: 5 3/4"  
 Lengths: 12', 16', 20'  
 Weight: 1.37 lbs./ft.



**FEATURE STRIP**  
 Description: 6/4" x 6"  
 Height: 1 1/2"  
 Width: 5 1/2"  
 Length: 12"  
 Weight: 1.4 lbs./ft.



**BALUSTERS**  
 Description: 2" x 2"  
 Height: 1 3/4"  
 Width: 1 3/4"  
 Lengths: 32", 38"  
 Weights: 32" 2.3 lbs., 38" 2.6 lb



\*End Caps available for all profiles

**END CAP\***  
 Height: 1 1/4"  
 Width: 5 1/2"  
 Length: 1"  
 Weight: .2



**4" X 4" POST SLEEVE**  
 Height: 4.315"  
 Width: 4.315"  
 Length: 8"  
 Weight: 17.6 lbs.



**FASCIA BOARD**  
 Height: 7/16"  
 Width: 12"  
 Length: 12"  
 Weight: 2.5 lbs



**6" X 6" POST SLEEVE**  
 Height: 6.410"  
 Width: 6.410"  
 Length: 12"  
 Weight: 39.5 lbs.



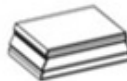
**POST CAP**  
 Height: 4"  
 Width: 4"  
 Weight: .22 lbs.  
 Notes: Standard Post Cap  
 also available in 6" x 6"



**POST BASE TRIM**  
 Height: 4"  
 Width: 4"  
 Weight: .20 lbs.  
 Notes: Standard Post Base Trim  
 also available in 6" x 6"



**DECORATIVE POST CAP**  
 Height: 4"  
 Width: 4"  
 Weight: .22 lbs.



**DECORATIVE POST BASE TRIM**  
 Height: 4"  
 Width: 4"  
 Weight: .20 lbs.

# TABLE OF CONTENTS

<b>General Introduction</b> .....	<b>5</b>
Local Building Codes .....	5
Installation Tools .....	5
<b>Scheduling Your Project</b> .....	<b>6</b>
Unloading, Storage, and Handling .....	6
Cautions .....	6
Expansion and Contraction .....	6
<b>Sub-Structure Framing</b> .....	<b>6</b>
Installing Feature & Perimeter Strips .....	6
Blocking .....	7
Joist Spacing .....	7
Stair Tread.....	7
Under Deck Air Circulation .....	8
Deck Drainage .....	8
Water Drainage Systems .....	8
<b>General Guidelines</b> .....	<b>8</b>
Board Layout .....	8
Perimeter & Feature Strip Installation .....	8
Board Spacing .....	9
Board Gapping .....	9
Fasteners .....	10
<b>Installation</b> .....	<b>12</b>
Parallel or Perpendicular Decking ...	12
Diagonal Decking .....	13
Feature and Perimeter Strips .....	14
Fascia Boards .....	14
<b>Warranty</b> .....	<b>15</b>

## CLEANING YOUR I.DEKK

Occasional light cleaning will help keep your deck looking fresh. Additionally, regular cleaning may help Tongue & Groove boards to drain properly. A pressure washer may be used with a fan-tip that is guided to move in the direction of the deck grain. Be careful not to damage the boards and follow proper safety precautions.

### Scratches

Although I.Dekk is durable, care should be taken to avoid scratching. If scratches do appear, it may be possible to carefully draw a stainless brush across the scratches in the direction of the grain to remove or reduce the scratches. Always test a small area to make sure the surface texture is not damaged.

### Removing Stains

Most stains can be removed with a general-purpose household cleaner, concentrated dish soap, laundry detergent, degreaser or composite deck cleaner. A plastic bristle brush will make the task easier. Remember that it is usually easier to remove fresh stains.

### Removing Microbial Stains

Microbial stains, such as algae and black mold, will not damage your I.Dekk. Algae and black mold can generally be removed with a pressure washer and plastic bristle scrub brush, and cleaners designed to remove mold and mildew. Always test a small area before proceeding.

Please go to [www.GreenBayDecking.com](http://www.GreenBayDecking.com) for additional tips and installation videos.

## GENERAL INTRODUCTION

I.Dekk is available in:

- **S4S Profile:** 5/4" Traditional (S4S)
  - Available in 12', 16', 20' and 24' lengths
- **Tongue & Groove Profile:** 5/4" T&G
  - Available in 12', 16', 20' and 24' lengths

I.Dekk trim boards are available in two profiles:

- **Feature Strips:** Provides an attractive divider strip on the main deck
  - Available in 12' lengths
- **Perimeter Strip:** Provides an attractive alternative picture frame of the main deck
  - Available in 12' lengths

I.Dekk comes in a variety of colors. See the Color Selector at [www.GreenDayDecking.com](http://www.GreenDayDecking.com) for more details.

The complete I.Dekk system includes deck boards, post sleeves, fascia, railings, balusters, end caps, post caps, post base trim, and handrail collars — everything needed to create a great-looking deck.

All I.Dekk boards manufactured by Green Bay Decking are identified with laser engraved identification data, which can be found at 4 foot intervals on the edge of each board. This identification includes the manufacturer's name, the date the product was manufactured, and the ICC report number - ESR 1369. This information is helpful to local building code administrators.

Since I.Dekk is made from a formulation of reclaimed paper by-product, rice hulls (a rapidly renewable resource), and other high-quality materials, its properties differ from those of wood products. Therefore, I.Dekk has different handling and installation requirements that should be taken into consideration during the planning of your deck installation.

The following illustrated instructions have been provided to help you understand and take advantage of these differences with appropriate installation techniques. Following these instructions, along with good building practices, will deliver the highest quality installation, and will assure many years of outdoor living enjoyment.

### Local Building Codes

---

You will want to follow all local building codes and good construction practices as you design and build your deck. Most municipal building codes have specific deck construction requirements. Failure to follow local building codes, including filing plans and scheduling inspections with the municipal building inspector, may result in costly post-construction modifications. In addition to local codes, be sure to follow the instructions in this manual that specifically pertain to I.Dekk products. Failure to do so may affect your Green Bay Decking warranty. Feel free to contact us toll free if you have questions on any of our products, or to assist in locating a quality decking professional.

### Installation Tools

---

Typical woodworking tools can be used. A general guide of tools you'll need is:

- Safety glasses
- Tape measure
- Circular saw (with 24 tooth carbide blade)
- Jig saw
- Pencil
- Chalk line
- Framing Square
- Driver with clutch settings (to avoid overdriving screws)
- Utility knife

## SCHEDULING YOUR PROJECT

### Unloading, Storage, and Handling I.Dekk

I.Dekk boards should be stored on a dry, flat surface with support every 48 inches. Do not stack I.Dekk more than four skids high. Cutting and drilling of I.Dekk does not produce respirable dust. However, it is good practice to always wear protective equipment such as safety glasses and hearing protection when operating power equipment.

#### Cautions



Store Flat



No Dumping



Do Not Burn



Protective Gear

#### Expansion and Contraction

Every material expands and contracts as temperatures change, and composite decking is no exception. Avoid potential problems by allowing time for proper acclimation of I.Dekk to local temperatures.

It is best to mark, cut, and install boards when they are all at roughly the same temperature.

It is recommended that all boards be kept at similar temperatures. Boards that have been in the sun for several hours will have expanded more than those kept in the shade, and consequently will contract more when they cool.

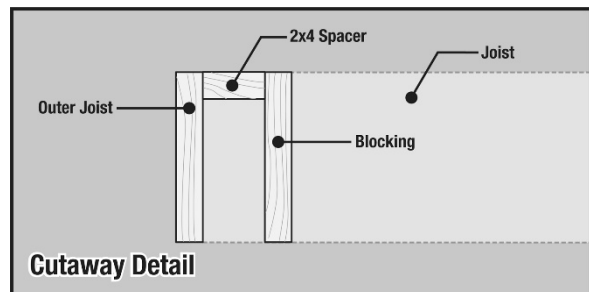
If possible, install I.Dekk during the coolest part of the day. Although the ideal temperature for installation is 60 degrees Fahrenheit, this is not always possible. Thus, these steps help reduce the effects of expansion and contraction: storing boards in the shade; making final cuts after boards have cooled.

## SUB-STRUCTURE FRAMING

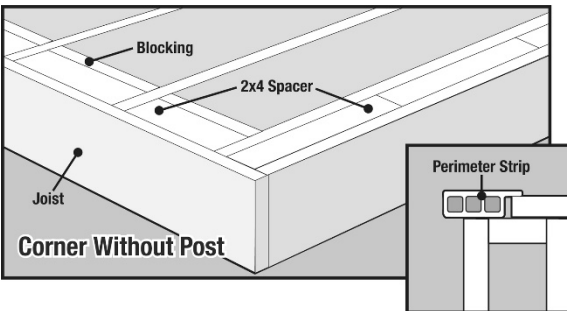
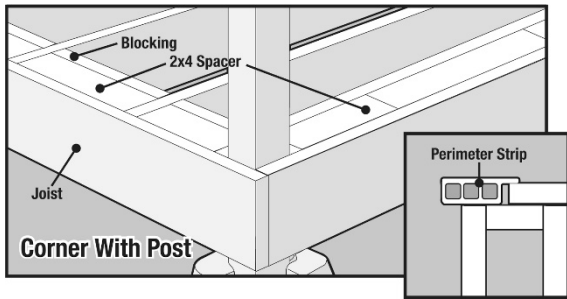
### Installing Feature & Perimeter Strips

Layout your deck using current framing techniques outlined in the International Residential Code (IRC), as well as local code requirements.

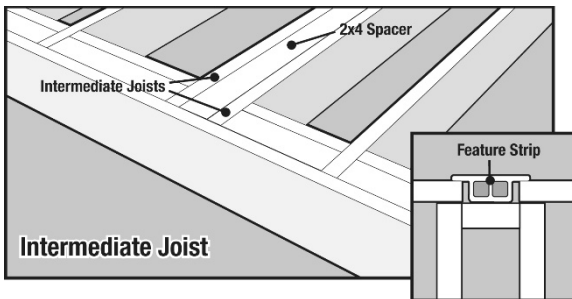
The cutaway detail graphic shows the joist, 2x4 spacer, and blocking border. This framing system provides a solid support for your perimeter strip or feature strip.



The following two illustrations show how to complete a corner with and without a post using the same framing techniques.



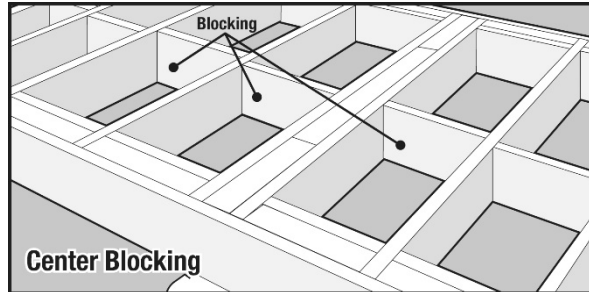
The intermediate joist is the framing necessary for Feature Strips.



## Blocking

While internal blocking may not be required, it can help to establish and maintain structural stability and plane across the deck surface.

Joists should be installed with 3 points of contact. If the deck structure only features a ledger and one carrying beam, it's a good idea to install internal blocking.



## Joist Spacing

I.Dekk decking can be installed on joists spaced up to 21" on center for perpendicular installation, or 16" on center for diagonal installations.

Be certain that the joist system is properly squared.

## Stair Treads

I.Dekk deck boards can be used for stair treads, with adequate care taken for structural support. Stair tread installation should be made on joists that are installed no more than 12" on center.

## Air Circulation

Air Circulation is not required for Green Bay Decking deck boards however, sufficient airflow may be required by the substructure material manufacturer or local building code to properly ventilate the deck substructure. It is recommended that the installation instructions of the substructure material manufacturer and building code be followed. Follow all gapping instructions for Green Bay Decking materials. Failure to gap decking properly may void the material warranty.

## Deck Drainage

It is recommended that the deck be sloped slightly (1/16" per foot) away from the house for water run-off, particularly for Tongue & Groove boards. Proper flashing of the ledger board is essential. Proper slope will help water drain from the deck.

## Water Drainage Systems

Water drainage systems, such as an EPDM type membrane or a commercially available under-deck drainage system, may be used with Traditional S4S deck boards, assuming that the boards are spaced at 3/16" or more. This spacing will allow adequate water drainage.

A sleeper system substructure may be used with Green Bay Decking materials in a rooftop installation. The sleeper system should be constructed with code compliant structural building materials. The supports should run in the direction of the roof slope to allow for proper water drainage. Failure to gap decking properly or failure to follow building code may void the material warranty. Refer to proper gapping procedures and air circulation found in this guide, as well as planning related to fastener lengths. In this type of installation, it is important to avoid compromising the integrity of the roofing system.

## GENERAL GUIDELINES

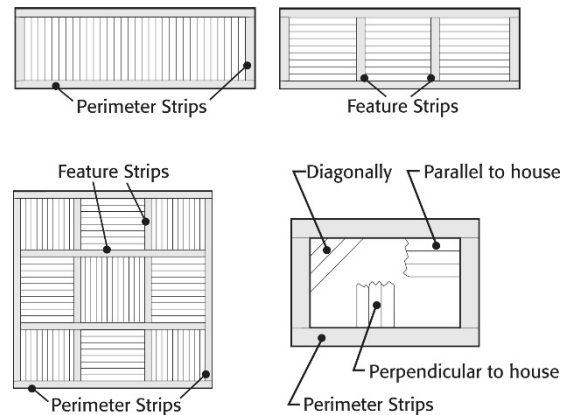
### Board Layout

A wide variety of board patterns can be achieved when installing I.Dekk S4S or Tongue & Groove deck boards. For decks less than 24' in length, single board lengths are recommended.

For decks that are more than 24' long, several options are available for decking installation.

### Perimeter or Feature Strip Installation:

I.Dekk Perimeter Strips may have to be butted together if the outer edge of the deck is being "picture framed". If the deck has a rail system, it is recommended you butt the Perimeter Strips at the post. Be sure to allow butt-joint spacing just as you would between deck-board butt-joints.

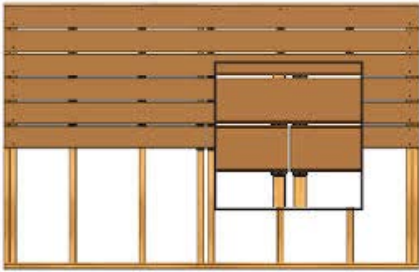




## Butt Joints

If installing boards using butt joints (end to end), double joists are required, so that no fastener is installed within  $\frac{3}{4}$ " of board end. Sister joists may also be installed. The sister joist may be small dimension lumber such as a 2x4, as long as the joist is securely fastened.

Be sure to allow minimum  $\frac{3}{16}$ " gap between board ends—smaller if installation temperature is above normal, larger if below normal—as boards tend to expand with increased temperatures.



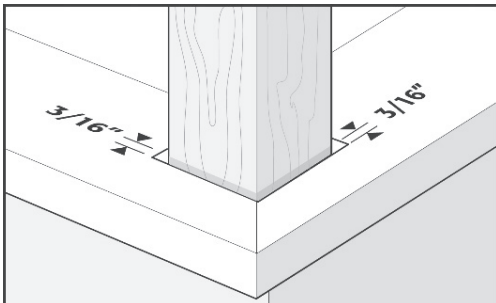
## Board Spacing

Deck boards should be laid out prior to installation to achieve the most pleasing pattern and brush tone visual effect.

Always provide a minimum gap of  $\frac{3}{16}$ " to allow for expansion where the deck meets the house. Siding or molding can later conceal this gap.

Always calculate deck width to avoid having to rip a deck board or to have an adequately sized board if a board must be ripped.

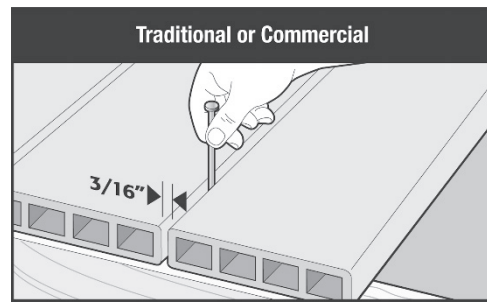
Allow a gap of  $\frac{3}{16}$ " between the deck board and any rail system posts or other obstructions. The post sleeve and post base trim will cover the gap when placed over the post.



## Board Gapping

Keep the decking installation square as you proceed. Check for square every few boards and adjust the board-to-board gap as necessary to compensate. Maintain a minimum board-to-board gap to assure proper drainage of rain and snow melt.

Traditional (S4S) deck boards should be installed with a spacing guide to ensure a minimum of  $\frac{3}{16}$ " of space between boards.



Tongue & Groove boards should be installed with a gap of  $\frac{1}{32}$ " to  $\frac{1}{16}$ ". Always use a spacing guide to maintain that spacing. Green Bay Decking has spacing guides available. Call us if your lumber yard does not have spacing tools available. An installation that is not properly gapped will restrict water run-off and may cause buckling, damaging the board and voiding the Green Bay Decking warranty.

## Green Bay Decking Gapping Tool



## Fasteners

Avoid fastening within 3/4" of the ends of the deck boards to prevent cracking.

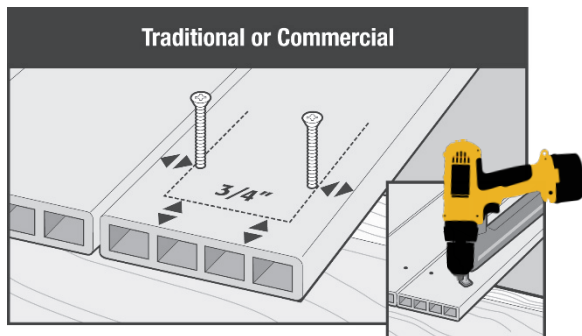
### I.Dekk Traditional S4S Decking:

Use #7, #8 or #9 stainless or coated "Trim Head" screws 2-1/4" (or longer). For best results use genuine *Green Bay Decking Fasteners*.

Do not use "composite" deck screws with reverse threads, as they will compromise the critical attachment of the deck board to the substructure.

Apply a minimum of two fasteners on every joist, and three at the ends of each board.

If using a Feature Strip, allow the ends that will butt the Feature Strip to run long and overlap the opening where the Feature Strip will be installed. These ends will be trimmed to length later. (See Feature & Perimeter Strip Installation on page 12.)

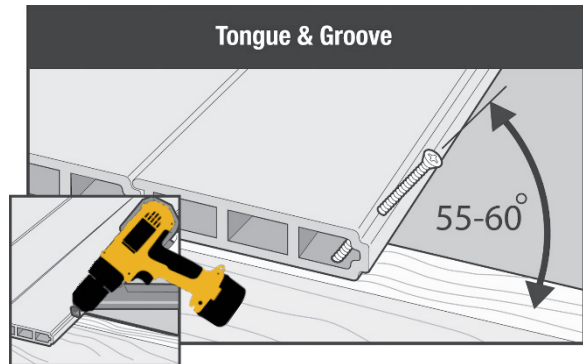


### I-Dekk Tongue & Groove Decking:

Use #7, #8 or #9 stainless or coated "Trim Head" screws 2-1/4" (or longer). For best results use genuine *Green Bay Decking Fasteners*.

Apply one fastener on every joist. It is also recommended to apply two fasteners through the face at the end of each board.

Fasteners should be driven through the tongue at a 55° to 60° angle to the horizon, through the tongue-to-shoulder junction, and into the joist below. Assure that a gap of 1/32" to 1/16" is provided. Use a gauge to assure uniform gapping. An installation that is too tight will restrict water run-off and may cause buckling.



### Perimeter Strips and Feature Strips:

Use #7, #8 or #9, 3" (or longer) stainless or coated "trim head" screws. For best results use genuine *Green Bay Decking Fasteners*.

Insert the fasteners through the 5/4" hollow portion of the board. Do not fasten through the wing (flat edge) that overlaps the deck boards.

Insert 2 fasteners every 12 to 16 inches. Avoid fastening within 3/4" of the ends of the boards. Trim head screws can be concealed by driving the screws just below the surface of the board, gathering the material displaced by the screw on top of the screw head, and gently tapping it with a hammer.

### Figuring Your Screws

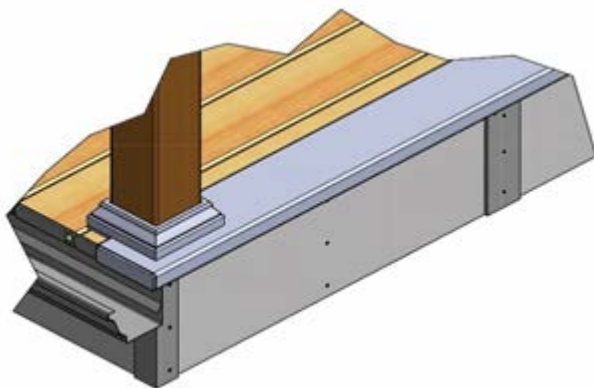
You will use 1 screw per joist, per deck board, plus 4 per board (2 face screws at each end). If your joists are spaced at 16" o.c., the following will hold true.

- 12' board – 14 Screws per board**
- 16' board – 17 Screws per board**
- 20' board – 20 Screws per board**
- 24' board – 23 Screws per board**

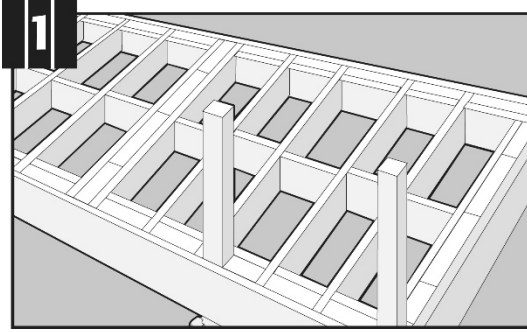
### **Fascia:**

Install fascia to the outer joists (rim joist and end joists) of the deck substructure.

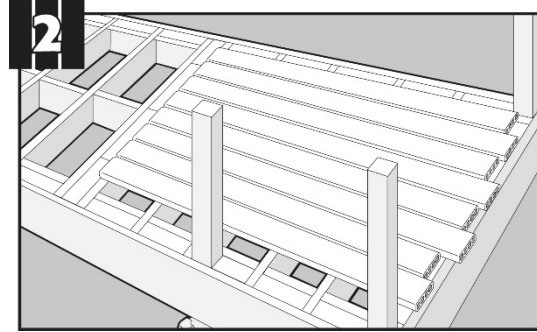
- Use a minimum of three evenly spaced screws every 12" (or two every 12" if the fascia has been ripped to 6" or less).
- End-to-end "butt-joints" must have a 3/16" minimum gap to allow for expansion and contraction with variations in temperature. There are several methods of concealing the gaps in fascia butt-joints, as follow:
  - Leave a wider gap and cover with a ripped piece of fascia installed vertically. Be sure the screws that attach the cover do not limit movement of the boards being butted together.
  - Apply a dark wood stain (similar to the color of the fascia) to the joist 1"-2" in each direction from where the butt-joint will lie. As the fascia opens and closes, the wood stain will render the gap practically invisible.
- The same 3/16" gap should be allowed at corners to allow for expansion and contraction. A corner molding can be ripped from a spare piece of decking or post sleeve. This cover should only be attached through one side to allow for expansion and contraction. (Please see illustration) Alternatively, the wood-stain process described above can be used here to conceal the required gap.



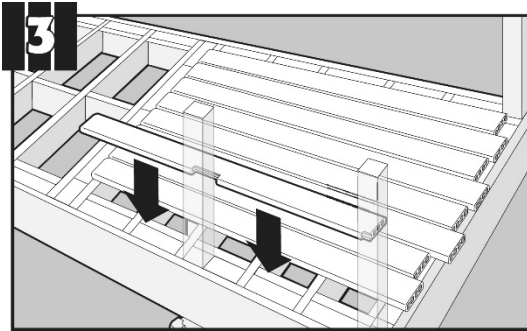
## PARALLEL OR PERPENDICULAR DECKING INSTALLATION



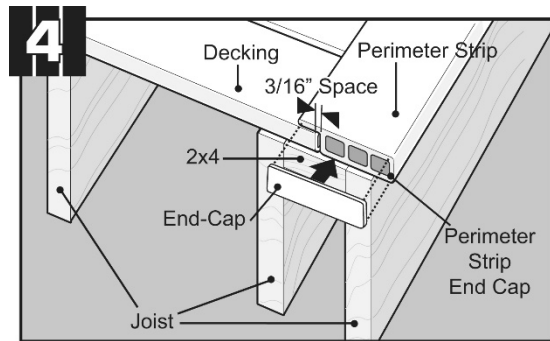
Start decking. Leave 3/16" between house; cover later with siding or molding



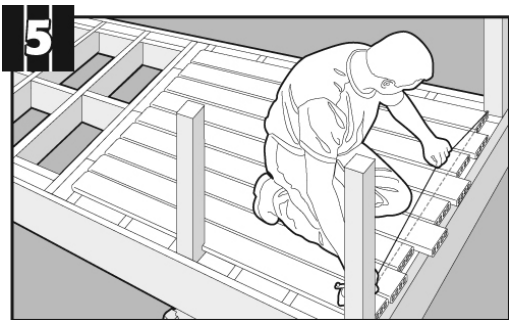
Install boards with extra to be trimmed later.



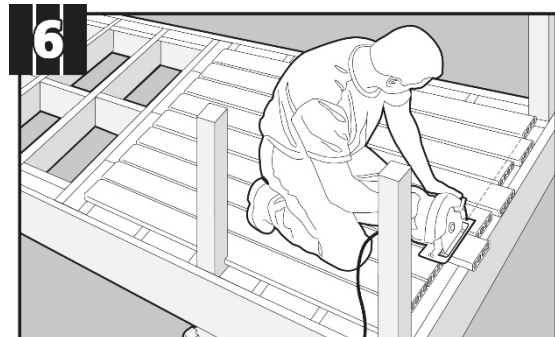
Mark and notch boards around posts and other obstructions



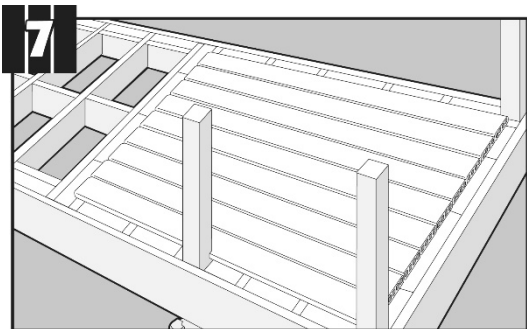
Boards should overlap joist (allowing 3/16" for expansion / contraction) where Perimeter Strips and Feature Strips will be added.



Snap a chalk line to indicate final cut length. Recommend using white or lavender chalk.

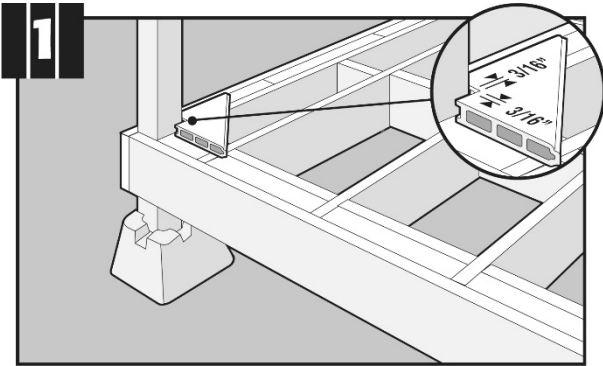


Cut off excess

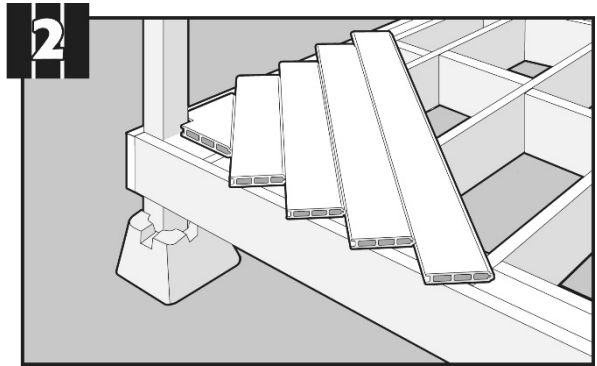


Install Feature and Perimeter Strips when all decking is complete.

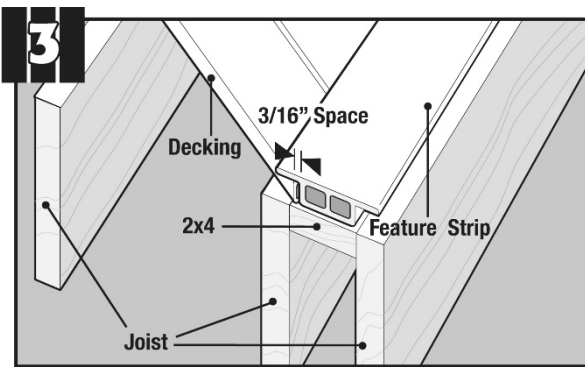
## DIAGONAL DECKING INSTALLATION



1 Cut corner piece and attach for guide. Always fasten  $\frac{3}{4}$ " from edge of board.



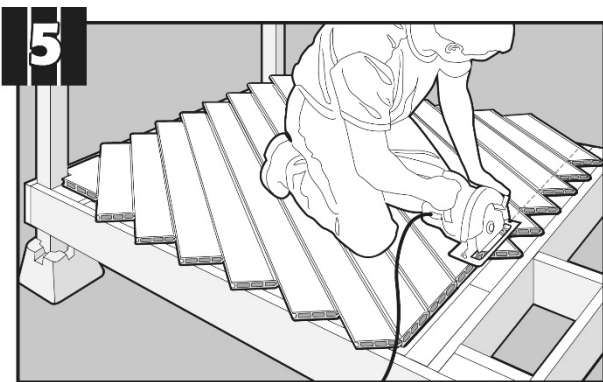
2 Cut and attach boards as you go. Trim excess *after* all boards are attached.



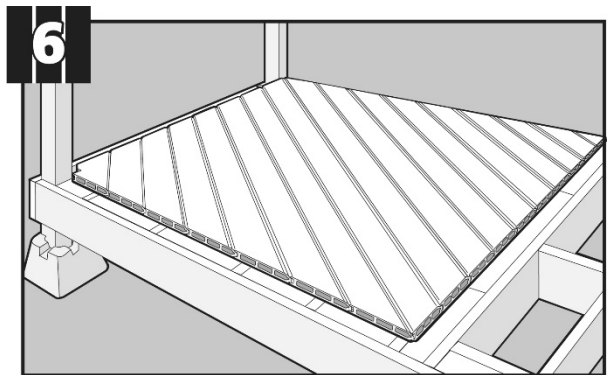
3 Boards should overlap joist (allowing  $\frac{3}{16}$ " for expansion / contraction) where Perimeter Strips will be added.



4 Snap a chalk line on all edges to indicate final cut length.

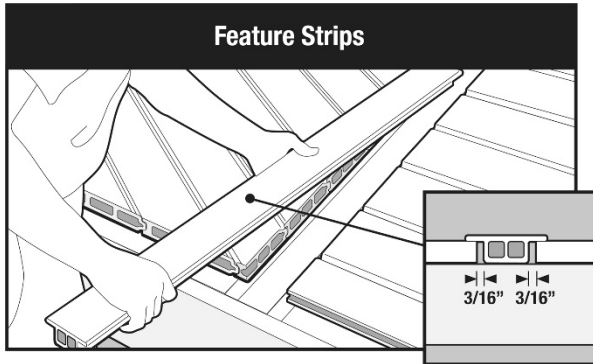


5 Cut off excess.

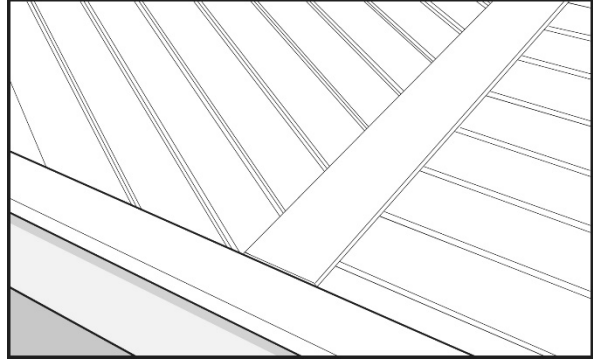


6 Install Feature and Perimeter Strips when all decking is complete.

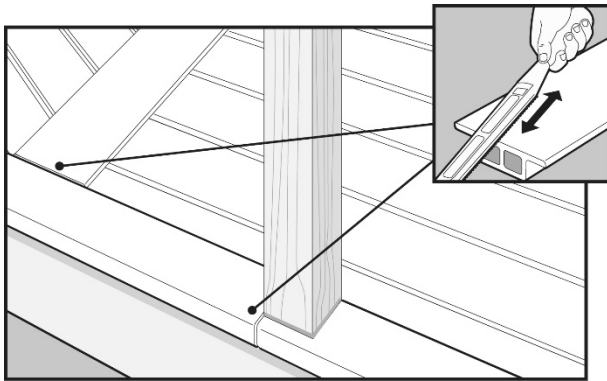
## FEATURE STRIP, PERIMETER STRIP & FASCIA BOARD INSTALLATION



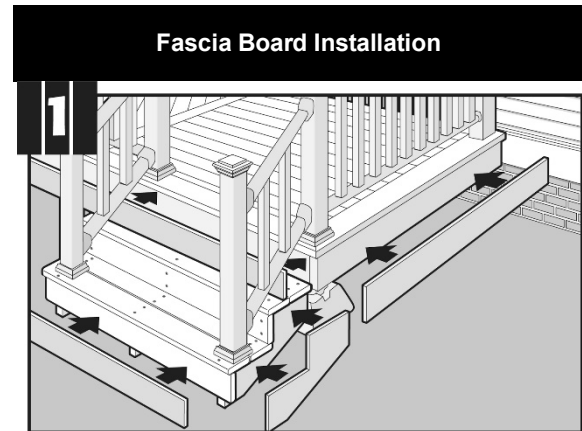
Feature Strips are placed between decking joints.



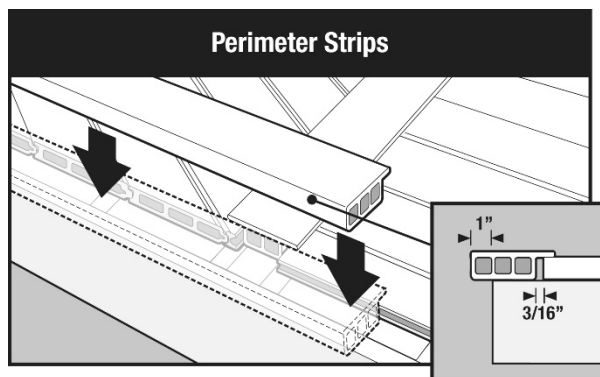
Completed deck after all Feature and Perimeter Strips have been installed.



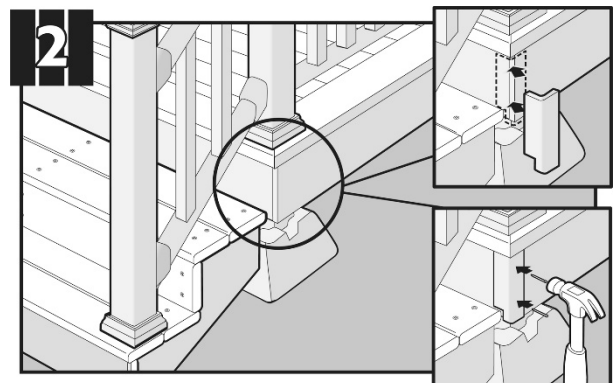
File or route edges when butt joints are unavoidable. To minimize the appearance of expansion and contraction, always butt Perimeter Strips at a post. The joint will be less visible when behind a post and covered with base trim.



Measure areas to be covered with Fascia. Cut and attach with three fasteners every 12" using same fasteners used for decking. If the Fascia is 6" wide or less, two fasteners every 12" should be used.



Perimeter Strips are placed around outer edge of decking. Allow for a maximum overhang of 1".



Baluster or post sleeve material can be used to cover corners. Attach with brads on one side only to allow for expansion and contraction.



Congratulations! As a GeoDeck™, TerrainDeck™, I.Dekk™, I.Dekk Terrain™, DuxxBak™, Indura Deck™ or OPTIMA® Deck owner, you have made a wise investment and you are protected by our lifetime limited warranty, which provides coverage against:

- **Manufacturing Defects**
- **Splintering, Splitting, and Delaminating**
- **Termite Damage**
- **Rot, Mildew, Fungal Decay, and Mold Damage**
- **Significant Color Fade or Discoloration**

## Lifetime Limited Warranty

---

Green Bay Decking, LLC (hereinafter “Manufacturer”) warrants that its GeoDeck™, TerrainDeck™, I.Dekk™, I.Dekk Terrain™, DuxxBak™, Indura Deck™, and OPTIMA®Deck products are manufactured from recovered cellulose (Biodac and rice hulls) and high density polyethylene, and are free of manufacturer’s defects, will not splinter, split, or delaminate, suffer structural damage from termites, rot, mildew, fungal decay, or mold when properly installed and maintained. Mildew or mold may form on the surface of your deck as a result of environmental pollution and debris. Such surface contamination will not harm your deck and can be removed by occasional cleaning with mild household cleaners or commercial deck cleaning products using a nylon brush. Always test clean a small area before proceeding. Additional cleaning and maintenance instruction can be found at [www.GreenBayDecking.com](http://www.GreenBayDecking.com).

GeoDeck™, TerrainDeck™, I.Dekk™, I.Dekk Terrain™, DuxxBak™, Indura Deck™, and OPTIMA®Deck are designed to resist the effects of exposure to the sun and environmental elements and will provide many years of excellent service. However, like all materials, GeoDeck™, TerrainDeck™, I.Dekk™, I.Dekk Terrain™, DuxxBak™, Indura Deck™, and OPTIMA®Deck will be subject to some color change when exposed to the sun’s ultraviolet rays. GeoDeck™, TerrainDeck™, I.Dekk™, I.Dekk Terrain™, DuxxBak™, Indura Deck™, and OPTIMA®Deck are manufactured with a lubricating material that will weather away within the first four months, fully revealing the intended color of the deck. Significant color fade is hereby defined as a change in color that is greater than five Delta E (CIE L\*a\*B\*) units as defined by ASTM D2244 for the four basic Green Bay Decking colors. Significant color fade for the TerrainDeck™ and I.Dekk Terrain™ colors is defined as color change that continues beyond the first four months of initial exposure to the sun’s ultraviolet rays. It will be the responsibility of the owner to provide the original invoice and documented proof of the degree of color change.

MANUFACTURER’S LIABILITY UNDER THIS WARRANTY IS LIMITED SOLELY TO REPLACEMENT OF DEFECTIVE GeoDeck™, TerrainDeck™, I.Dekk™, I.Dekk Terrain™, DuxxBak™, Indura Deck™, or OPTIMA®Deck PRODUCTS, OR REFUND AT THE MANUFACTURER’S DISCRETION, WITH THE FIRST 10 YEARS BEING NON-PRORATED AND THE FOLLOWING 15 YEARS BEING CALCULATED ON A STRAIGHT-LINE DEPRECIATING BASIS. AFTER THE 25<sup>TH</sup> YEAR, WARRANTY WILL CONTINUE AT THE RATE THAT APPLIES TO THE 25<sup>TH</sup> YEAR. Purchaser’s sole and exclusive remedy for any claim whatsoever, whether in contract, warranty, tort or strict liability, arising out of the use, storage or possession of the manufacturer’s products, including without limitation any claim that the manufacturer’s products failed to perform as warranted, shall be as stated in the first sentence of this paragraph. To enter a warranty claim, the original owner must submit its claim together with this warranty certificate, the original purchase invoice indicating the date of purchase, pictures of the defective products, and a detailed written description to **Green Bay Decking, LLC. 1518 South Broadway, Green Bay, WI 54304. This new Lifetime Limited Warranty applies only to GeoDeck™, TerrainDeck™, I.Dekk™, I.Dekk Terrain™, DuxxBak™, Indura Deck™, and OPTIMA®Deck products purchased on or after June 01, 2016. In those states where a Limited Lifetime Warranty is defined as something less than “lifetime” this warranty becomes a 25 Year Limited Warranty.**

THE WARRANTY SHALL NOT APPLY TO GeoDeck™, TerrainDeck™, I.Dekk™, I.Dekk Terrain™, DuxxBak™, Indura Deck™, and OPTIMA®Deck PRODUCTS THAT HAVE NOT BEEN INSTALLED IN ACCORDANCE WITH MANUFACTURER’S AND ICC GUIDELINES (REPORT NO. ESR-1369, DATED MAY 1, 2016 or later). “Installation Instructions” can be found at [www.GreenBayDecking.com](http://www.GreenBayDecking.com). This warranty shall not cover defects due to (i) natural disasters, including fire, smoke, water, earthquake, lightning or static electricity; (ii) causes external to the GeoDeck™, TerrainDeck™, I.Dekk™, I.Dekk Terrain™, DuxxBak™, Indura Deck™, and OPTIMA®Deck products such as, but not limited to, weather; (iii) the neglect, abuse, misuse (including faulty installation, repair or maintenance by other than Manufacturer), improper storage of the GeoDeck™, TerrainDeck™, I.Dekk™, I.Dekk Terrain™, DuxxBak™, Indura Deck™, and OPTIMA®Deck products or other failure to comply with the instructions set forth in the “Installation and Care” section of [www.GreenBayDecking.com](http://www.GreenBayDecking.com) or in documentation that may be provided with the GeoDeck™, TerrainDeck™, I.Dekk™, I.Dekk Terrain™, DuxxBak™, Indura Deck™, and OPTIMA®Deck products; (iv) a modification of the GeoDeck™, TerrainDeck™, I.Dekk™, I.Dekk Terrain™,

**DuxxBak™, Indura Deck™, and OPTIMA®Deck** products not provided by the Manufacturer; (v) a malfunction of any product not provided by Manufacturer with which the GeoDeck or TerrainDeck product is used or combined; (vi) use, modification or other treatment of the **GeoDeck™, TerrainDeck™, I.Dekk™, I.Dekk Terrain™, DuxxBak™, Indura Deck™, and OPTIMA®Deck** product in a manner for which it was not designed or intended; (vii) defects in articles purchased by Manufacturer and resold by it without alteration and effects in materials purchased by Manufacturer which cannot be discovered by warranty factory inspection; (viii) placement under or subjection to abnormal use conditions; (ix) normal wear and tear; or (x) expansion and contraction. This warranty does not cover product defects on installed decks that were apparent at or prior to installation.

MANUFACTURER'S WARRANTY SHALL APPLY ONLY TO **GeoDeck™, TerrainDeck™, I.Dekk™, I.Dekk Terrain™, DuxxBak™, Indura Deck™, and OPTIMA®Deck**. IN NO EVENT SHALL MANUFACTURER BE LIABLE FOR LABOR OR OTHER EXPENSES INCURRED BY THE PURCHASER, OR SPECIAL, INCIDENTAL, EXEMPLARY OR CONSEQUENTIAL DAMAGES OF ANY KIND WHATSOEVER. MANUFACTURER'S LIABILITY ARISING OUT OF THE MANUFACTURE, SALE OR SUPPLY OF THE **GeoDeck™, TerrainDeck™, I.Dekk™, I.Dekk Terrain™, DuxxBak™, Indura Deck™, and OPTIMA®Deck** PRODUCTS OR THEIR USE, WHETHER BASED UPON WARRANTY, CONTRACT, TORT, OR OTHERWISE, SHALL NOT EXCEED THE ACTUAL PURCHASE PRICE PAID BY THE PURCHASER FOR THE **GeoDeck™, TerrainDeck™, I.Dekk™, I.Dekk Terrain™, DuxxBak™, Indura Deck™, and OPTIMA®Deck**.

Purchaser acknowledges that the **GeoDeck™, TerrainDeck™, I.Dekk™, I.Dekk Terrain™, DuxxBak™, Indura Deck™, and OPTIMA®Deck** products are not structural lumber and therefore may not be used as such. PURCHASER IS SOLELY RESPONSIBLE FOR DETERMINING THE SUITABILITY FOR USE OR APPLICATION OF ANY **GeoDeck™, TerrainDeck™, I.Dekk™, I.Dekk Terrain™, DuxxBak™, Indura Deck™, and OPTIMA®Deck**, OR WHETHER **GeoDeck™, TerrainDeck™, I.Dekk™, I.Dekk Terrain™, DuxxBak™, Indura Deck™, and OPTIMA®Deck** PRODUCTS MEET REQUIREMENTS OF APPLICABLE BUILDING CODES OR SAFETY CODES FOR SPECIFIC APPLICATIONS.

No person or entity is authorized by Manufacturer to make and Manufacturer shall not be bound by any statement of representation as to the performance of **GeoDeck™, TerrainDeck™, I.Dekk™, I.Dekk Terrain™, DuxxBak™, Indura Deck™, and OPTIMA®Deck** other than what is contained in this warranty. This warranty shall not be amended or altered except in written instrument signed by Manufacturer and Purchaser.

THE FOREGOING WARRANTY IS EXCLUSIVE AND IN LIEU OF ANY OTHER WARRANTIES WITH RESPECT TO **GeoDeck™, TerrainDeck™, I.Dekk™, I.Dekk Terrain™, DuxxBak™, Indura Deck™, and OPTIMA®Deck**, EXPRESSED OR IMPLIED, INCLUDING WITHOUT LIMITATION, ANY IMPLIED WARRANTY OR MERCHANTABILITY, FITNESS FOR A PARTICULAR PURCHASE OR NON-INFRINGEMENT: Laws from time to time in force in certain jurisdictions may imply warranties that cannot be excluded or can only be excluded to limited extent. This warranty shall be read and construed subject to any such statutory provisions. This warranty gives you specific legal rights. You may have other rights, which vary from state to state.

TRANSFER OF WARRANTY: A one-time transfer of this warranty may be made within the first five (5) years from the date on which the original warranty became effective. That transfer of warranty must be registered with a submittal of a copy of the ownership transfer document to Green Bay Decking, LLC, 1518 South Broadway, Green Bay WI 54304.

This warranty certificate is issued to:

Name: \_\_\_\_\_

Address: \_\_\_\_\_

Dated: \_\_\_\_\_, 20\_\_\_\_

This GeoDeck, TerrainDeck, I.Dekk, I.Dekk Terrain, OPTIMA® and DuxxBak Lifetime Limited Warranty has been revised and becomes effective for sales made on or after **July 01, 2016**.



# I.Dekk

## Product Features

Resistance to Decay and Mold

Strength & Durability

Less Maintenance

Eco-Friendly

Easy To Install

Lifetime Limited Warranty

Color Fade Warranty

## For The Pros

Unique Tongue & Groove profile quickly installs without secondary hidden fasteners

I.Deck Traditional S4S and T&G deck boards are ICC rated for installation on joists up to 21" on center!

I.Dekk can be installed in varying patterns including diagonal, octagon, and herringbone patterns

---

For the most up-to-date installation instructions and videos, please visit

[www.GreenBayDecking.com](http://www.GreenBayDecking.com)



1518 South Broadway  
Green Bay, WI 54304  
(877) 804-0137